

STABILOC[®] Manhole Cover Locking System

Advancing Security Through Innovation



The Strongest Lock on Earth

Made from rugged, corrosion resistant military grade stainless steel alloy the STABILOC locking system withstands thousands of pounds of lifting force. Due to the unique design there is no need for centering or indexing the cover, and the STABILOC is adaptable to work with virtually any flat manhole cover.

Option 1

Machine Existing Manhole Covers

STABILOC will produce a technical drawing of your manhole cover to be machined by a local facility.

You can then take your covers to a machining center for modification.

Option 2

New Matching Manhole Covers

Once we receive your sizing sheet STABILOC will produce matching and machined manhole covers to use with your existing frame configuration. Just swap your old covers for new STABILOC covers – it's that easy!

Option 3

Replace Your Aging Infrastructure

With new rings and covers STABILOC can offer you a variety of configurations and materials. We know manhole covers and can recommend the best fit for your project.

Call us today to learn more!



Port Authority of New York and New Jersey (PANYNJ)



Easy to use!



Pedestrian friendly!



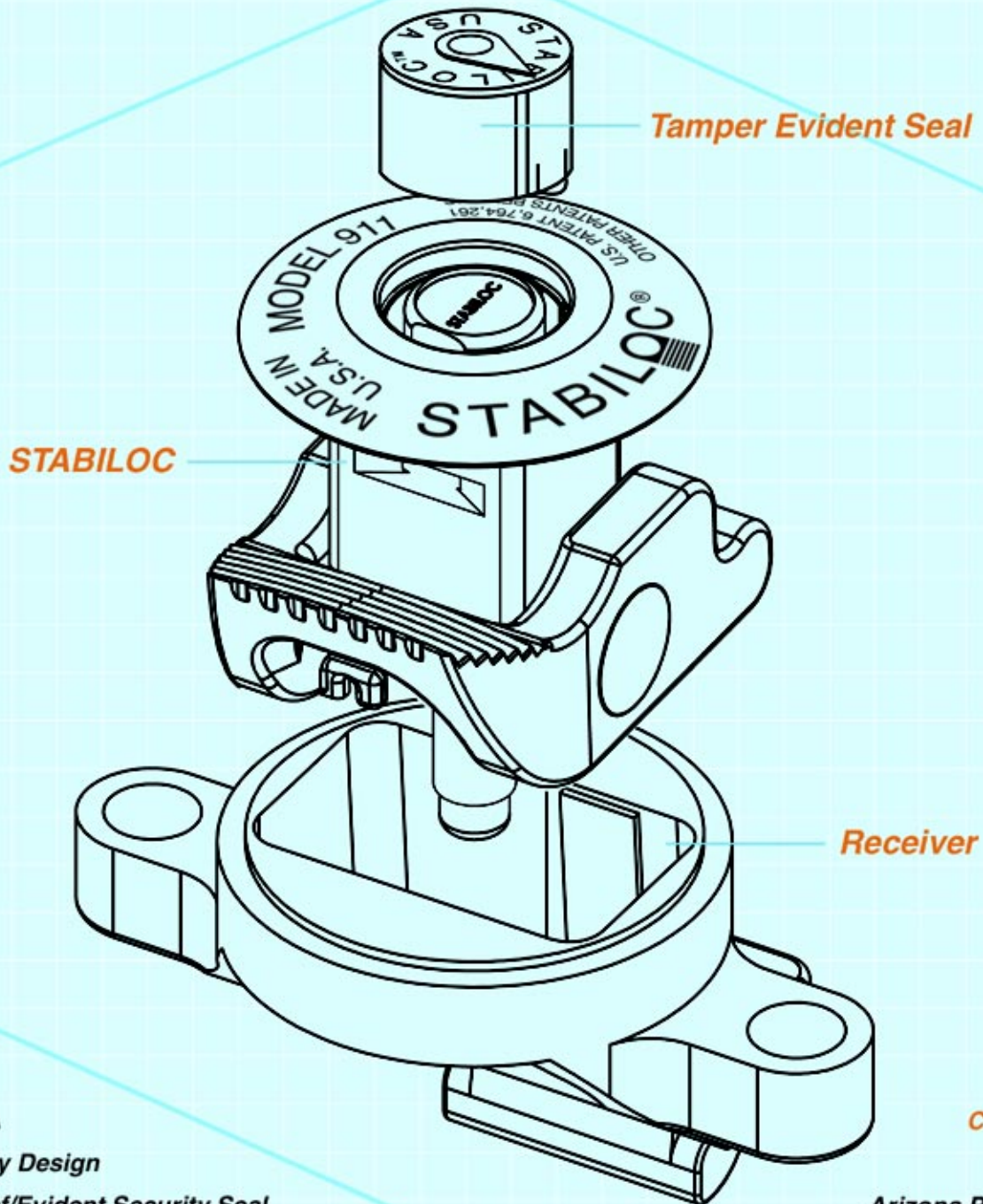
Metering vault

7065 E. Eight Mile Road
Warren, Michigan 48091 U.S.
www.stabiloc.com

U.S. Toll-Free: 877-STABILOC
International: +1-586-756-1147
Fax: 586-756-4573

Manhole Cover Locking System

The STABILOC system consists of two main components: A receiver which is bolted to the underside of the manhole cover and the STABILOC locking device. The stainless steel STABILOC is inserted into the receiver and locks the cover to the frame – preventing theft and unauthorized access.



Features:

- Made in USA
- Field Friendly Design
- Tamper Proof/Evident Security Seal
- Lock is Flush with Manhole Cover Surface
- RFID Capable – 13.56 MHz Read/Write Passive System
- Patented Socket Design (custom design also available)
- 17-4 PH Corrosion Resistant Military Grade Stainless Steel

Partial Customer List:

- DTE Energy
- Arizona Public Service
- NATO Force Protection
- West Point Military Academy
- United States Department of State
- State of Pennsylvania Corrections

Genuine STABILOC Accessories



The STABILOC system consists of two main components: a receiver which is bolted to the underside of the cover and the STABILOC locking device. The stainless steel STABILOC is inserted vertically into the receiver and locks the cover to the frame preventing theft and unauthorized access.



STABILOC's system uses a special patented bolt design which is only removable with a matching socket from STABILOC. Custom tooling is available.



The tamper evident seal snaps into the lock body protecting the bolt head from dirt and debris leaving it clean, dry and accessible. Security personnel can easily determine the integrity of the lock ensuring that it has not been tampered with – WITHOUT opening the manhole cover.



The patented STABILOC socket matches the exclusive bolt head design and uses a standard 1/2 inch drive.

STABILOC Receiver
(manhole cover underside,
top of lock on front cover)



The extraction tool assists you in the removal of the tamper evident seal when accessing the manhole cover. The tool attached to any drill makes cap removal a snap!



New to the STABILOC system is RFID read/write technology. Embedded in the special STABILOC seals a chip holds information about the manhole cover and transmits it to the hand held reader. You can store service records, manhole contents, and any other relevant data.

7065 E. Eight Mile Road
Warren, Michigan 48091 U.S.
www.stabiloc.com

U.S. Toll-Free:
1-877-STABILOC
International: +1-586-756-1147
Fax: 586-756-4573

STABILOC
