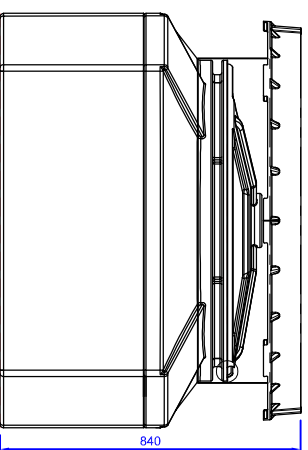
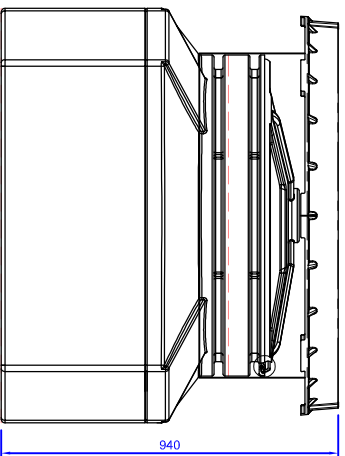
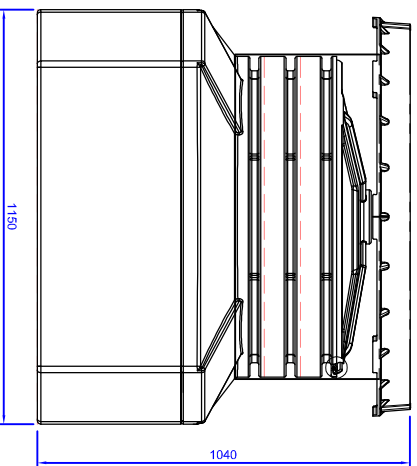
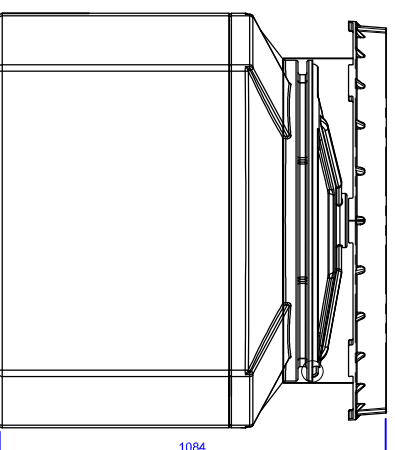
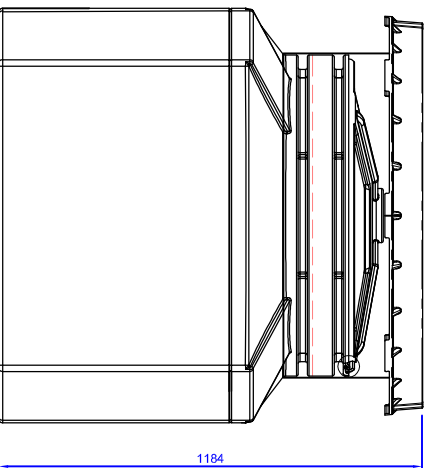
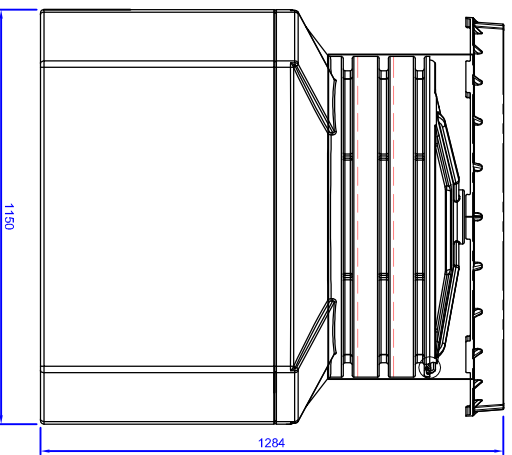


# Shallow Tank Sump - CTS-1150-1150S



# Medium Tank Sump - CTS-1150-1150M



DATE		ISSUE	REASON FOR ISSUE	CHG'D	DRAWN	CHECKED	DATE	SCALE	TITLE	MATERIAL	PROPERTY	DISCLAIMER	COMPANY	DRAWING NUMBER
24-06-10		A	First Issue	JRH	JRH	NMH	15-11-10	1:1	<b>CTS1150-1150 Tank Sump Burial Depths</b>	MD Polyethylene	This drawing and any descriptive matter or information set out herein, is the property of Forecourt Solutions Ltd who are the owners of the copyright, and must not be disclosed, loaned, copied or used for manufacturing, tendering or for any other purpose without their written permission.	<b>FORECOURT SOLUTIONS LTD</b> UNIT F, THISTLE PARK, CROSSWAYS ROAD, SHOWGROUND BUSINESS PARK, BRIDGWATER SOMERSET, TA6 6LS, UK TEL: +44 1278428833, FAX: +44 1278 459808	<b>CTS1150-1150-4</b>	